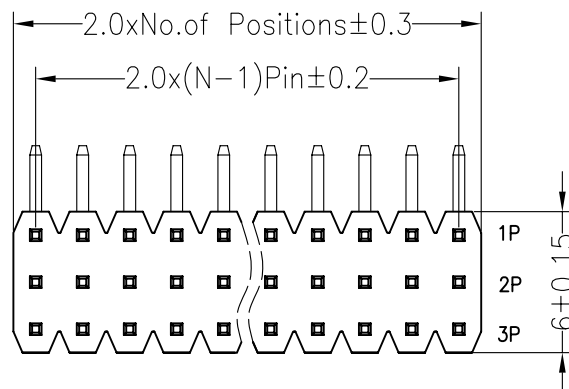




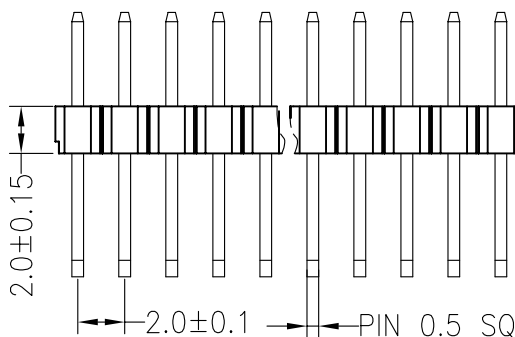
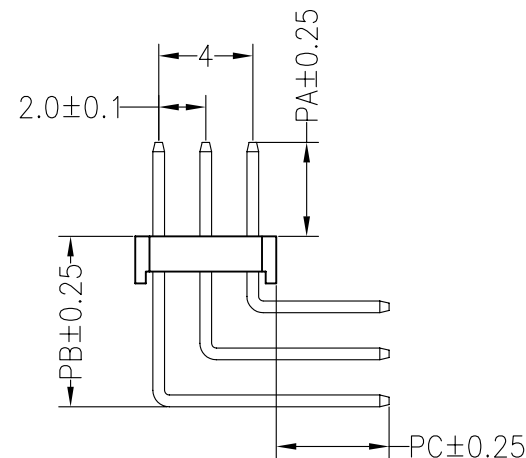
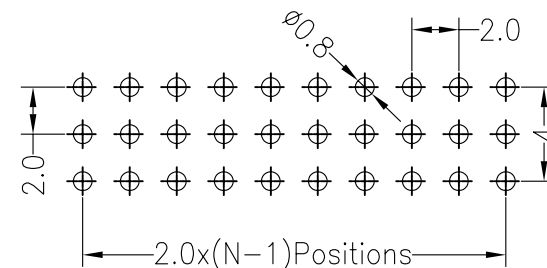
**SPECIFICATIONS**

Rated Current:1.5AMP  
 Contact Resistance:20mΩ Max  
 Withstand Voltage:500V AC/DC  
 Insulation Resistance:1000MΩ Min  
 Operation Temperature:-40°c to +105°c

Contact Material:Brass  
 Contact Plating:Au or Sn Over Ni  
 Insulator Material:Polyester(UL94V-0)  
 Standard: PA6T  
 Max.Processing Temp: 230°C for 30-60 seconds  
 (260°C for 5 seconds)



Recommended P.C.B Layout(Top Side)  
 (PCB BOARD TOLERANCE±0.05)



**Ordering Information**

1320-13 XX X N XX R XXX X 01

- No.of Pins Per Row: 1x40, 2x40, 3x40, 1--40, 2--80, 3--120
- Insulator Material Option: A=BK-PBT, B=BK-PA66, C=BK-PA6T, D=BK-PA46, F=BK-LCP
- Contact Plating: G0:Gold Flash, G2:5U" Gold, G3:10U" Gold, G4:15U" Gold, G5:30U" Gold, S0:Gold Flash/Tin, SN:Tin
- Pin Length: PIN 0.5 SQ
- Packing: 0=PE Bag, A=Tray, T=Tube, P=Tube+Cap, R=Reel+Cap

Dimension antitheses list				
ITEM	PA	PB	PC	L
Standard	4.00	7.40	2.80	10.50
Alternate				

				OPERATION		DRAW	BEN	15.01.28	SCALE	FIT	<b>JiLN</b> ® 深圳市锦凌电子有限公司 SHENZHEN JINLING ELECTRONIC CO.,LTD Tel: 86-755-2997-5806/5802 Fax: 86-755-2997-5992	
				X.X	±0.30				UNIT	mm		
				X.XX	±0.20	CHECK			SIZE	A4	PART NO. 132013XXXXXXRXXX01	
A0	2015.01.28	NEW DRAWING		X.XXX	±0.10	APPROVE			SHEET	1/1	TITLE: 2.0PH 3xNpin H2.0mm 90°	
REV	DATE	MODIFICATION DESCRIPTION		DIM	TOL				PROJ.	◆		